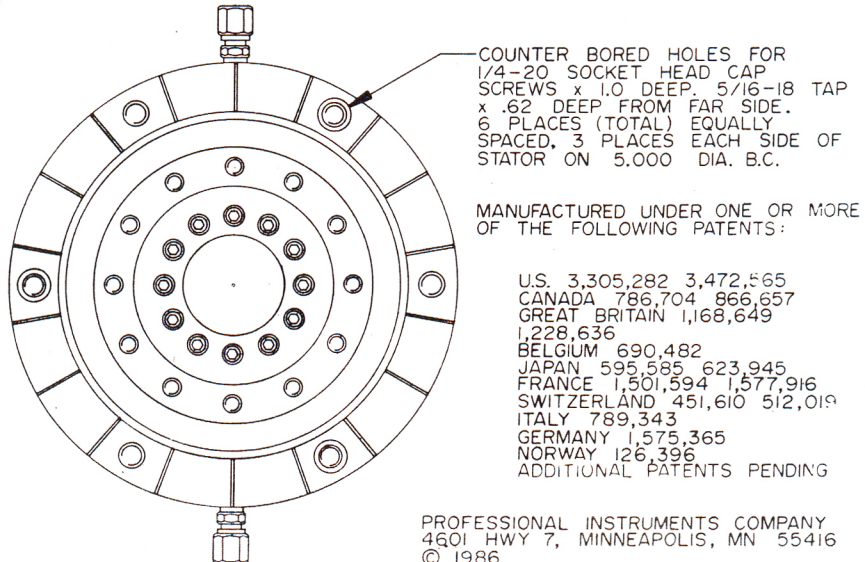
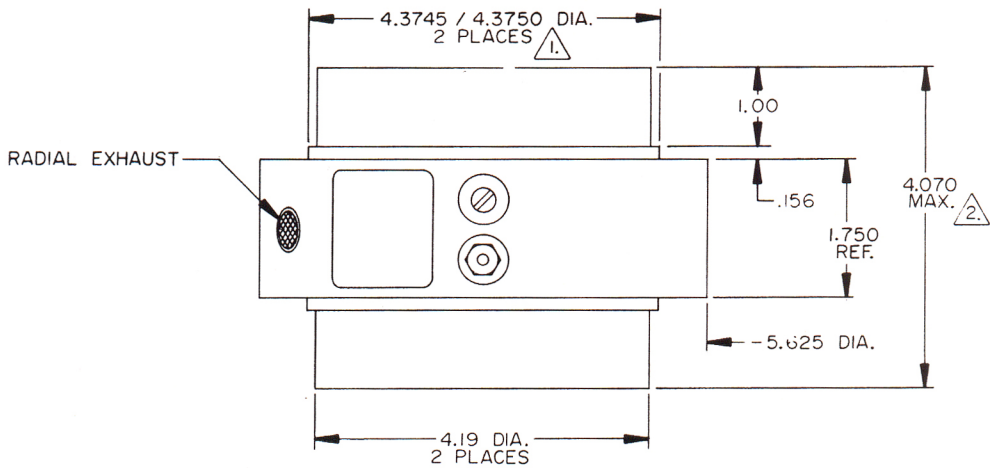
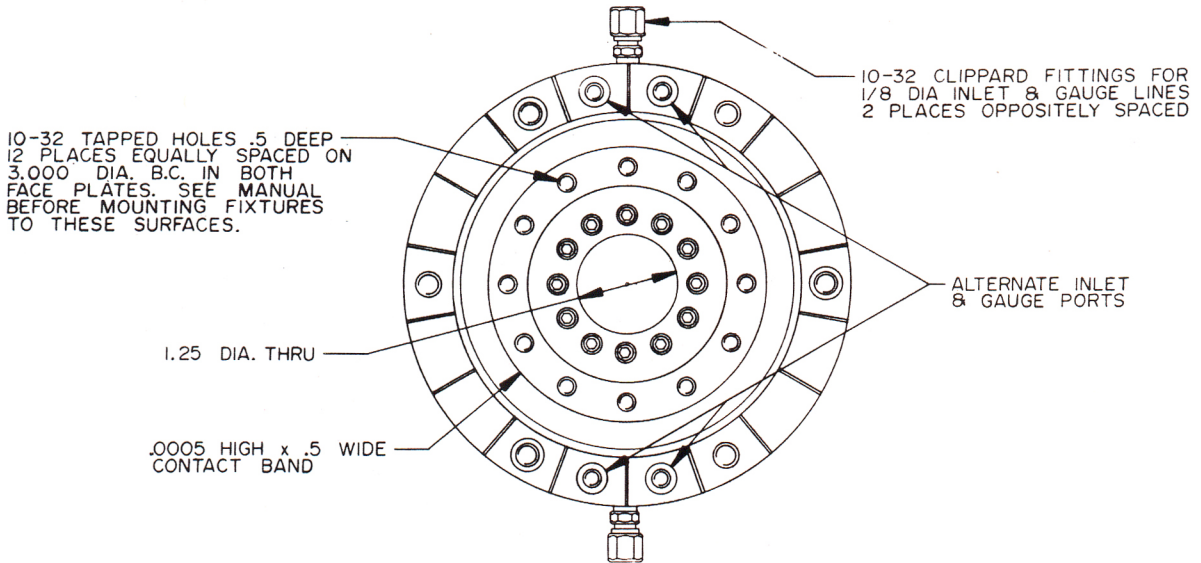


"Block-Head" 4R型標準スピンドル主要寸法図:

(最高回転数: 10,000 rpm)

MODEL 4R BLOCK-HEAD® UNIVERSAL AIR BEARING SPINDLE



ROTOR WEIGHT = 7.7 POUNDS.
TOTAL WEIGHT = 19 POUNDS

² OVERALL LENGTH WILL VARY
WITH EACH REBUILD.

¹ \odot TO AXIS OF ROTATION
WITHIN .0005.

MATERIAL:

STATOR - C1117 STEEL HARDENED
AND STABILIZED.
THRUST PLATES - C1117 STEEL
HARDENED AND STABILIZED.
SHAFT - GRAPHITIC TOOL STEEL
HARDENED AND STABILIZED.
REPLACEABLE BRONZE SLEEVES IN
BORE.

MANUFACTURED UNDER ONE OR MORE
OF THE FOLLOWING PATENTS:

U.S. 3,305,282 3,472,565
CANADA 786,704 866,657
GREAT BRITAIN 1,168,649
1,228,636
BELGIUM 690,482
JAPAN 595,585 623,945
FRANCE 1,501,594 1,577,916
SWITZERLAND 451,610 512,019
ITALY 789,343
GERMANY 1,575,365
NORWAY 126,396
ADDITIONAL PATENTS PENDING

PROFESSIONAL INSTRUMENTS COMPANY
4601 HWY 7, MINNEAPOLIS, MN 55416
© 1986