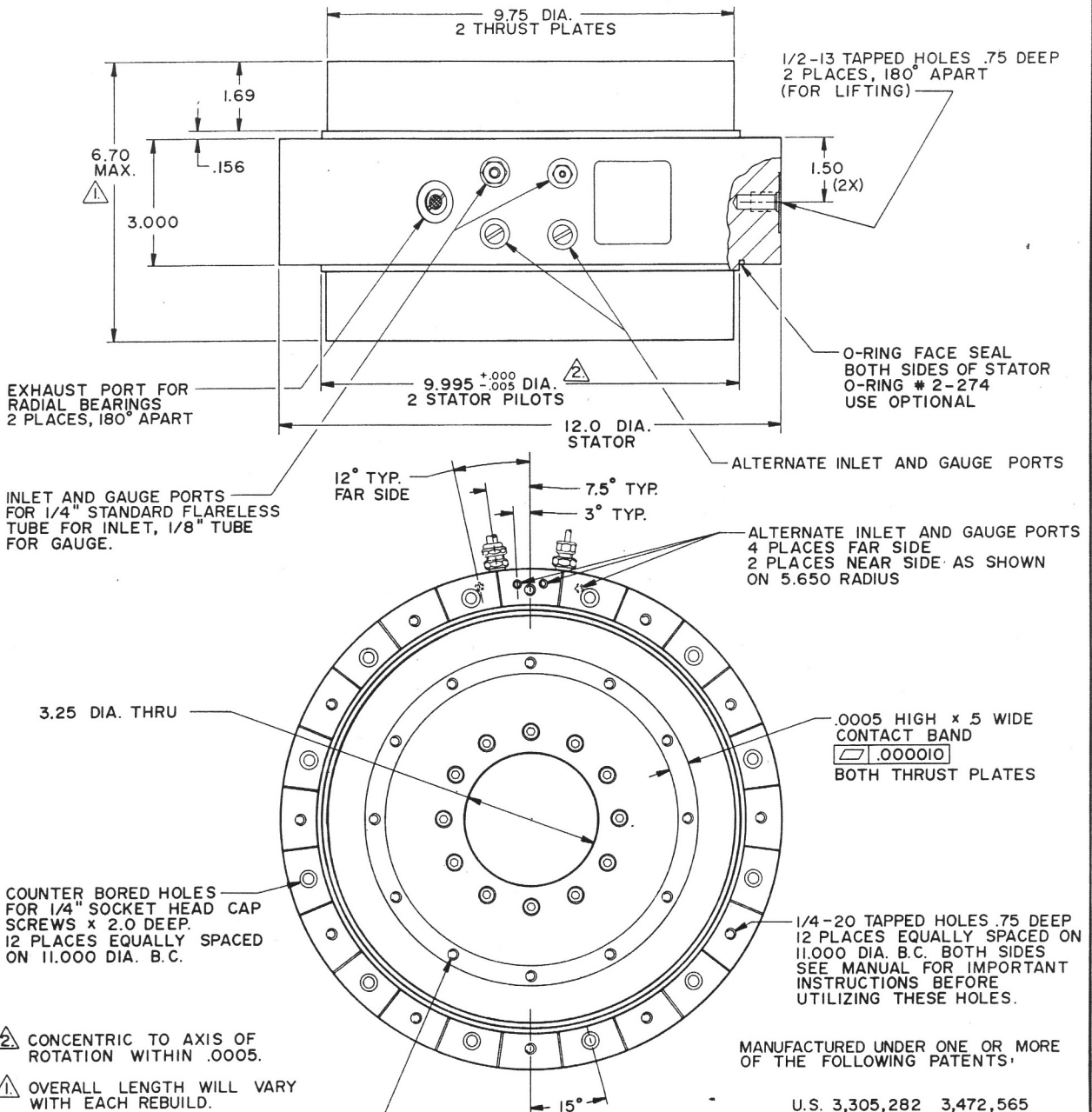


"Block-Head" 10R型標準スピンドル主要寸法図:

(最高回転数: 1, 800 rpm)

MODEL 10R BLOCK-HEAD[®] UNIVERSAL AIR BEARING SPINDLE



EXHAUST PORT FOR RADIAL BEARINGS
2 PLACES, 180° APART

INLET AND GAUGE PORTS
FOR 1/4" STANDARD FLARELESS
TUBE FOR INLET, 1/8" TUBE
FOR GAUGE.

COUNTER BORED HOLES
FOR 1/4" SOCKET HEAD CAP
SCREWS x 2.0 DEEP.
12 PLACES EQUALLY SPACED
ON 11.000 DIA. B.C.

△ CONCENTRIC TO AXIS OF
ROTATION WITHIN .0005.

△ OVERALL LENGTH WILL VARY
WITH EACH REBUILD.

MATERIAL:

STATOR - 4140 STEEL, HARDENED
AND STABILIZED WITH REPLACEABLE
BRONZE BUSHINGS FOR REBUILDING.

THRUST PLATES - MILD STEEL

SHAFT - GRAPHITIC TOOL STEEL
HARDENED AND STABILIZED.

1/4-20 TAPPED HOLES .75 DEEP
12 PLACES EQUALLY SPACED ON
7.500 DIA. B.C. IN BOTH THRUST
PLATES. SEE MANUAL BEFORE
UTILIZING THESE HOLES.

MANUFACTURED UNDER ONE OR MORE
OF THE FOLLOWING PATENTS:

U.S. 3,305,282 3,472,565
CANADA 786,704 866,657
GREAT BRITAIN 1,168,649
1,228,636
BELGIUM 690,482
JAPAN 595,585 623,945
FRANCE 1,501,594 1,577,916
SWITZERLAND 451,610 512,019
ITALY 789,343
GERMANY 1,575,365
NORWAY 126,396
ADDITIONAL PATENTS PENDING

PROFESSIONAL INSTRUMENTS COMPANY
4601 HWY 7, MINNEAPOLIS, MN 55416
© 1989